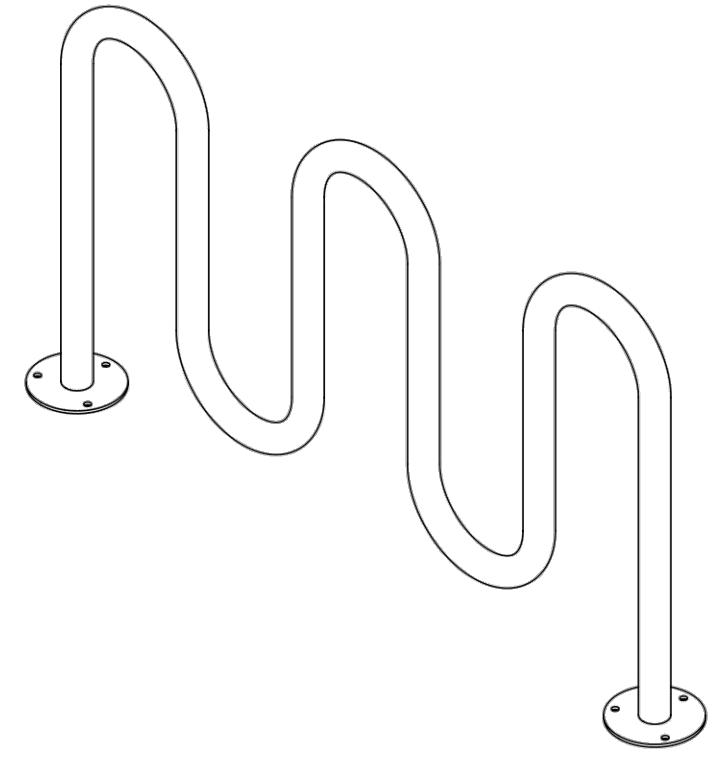
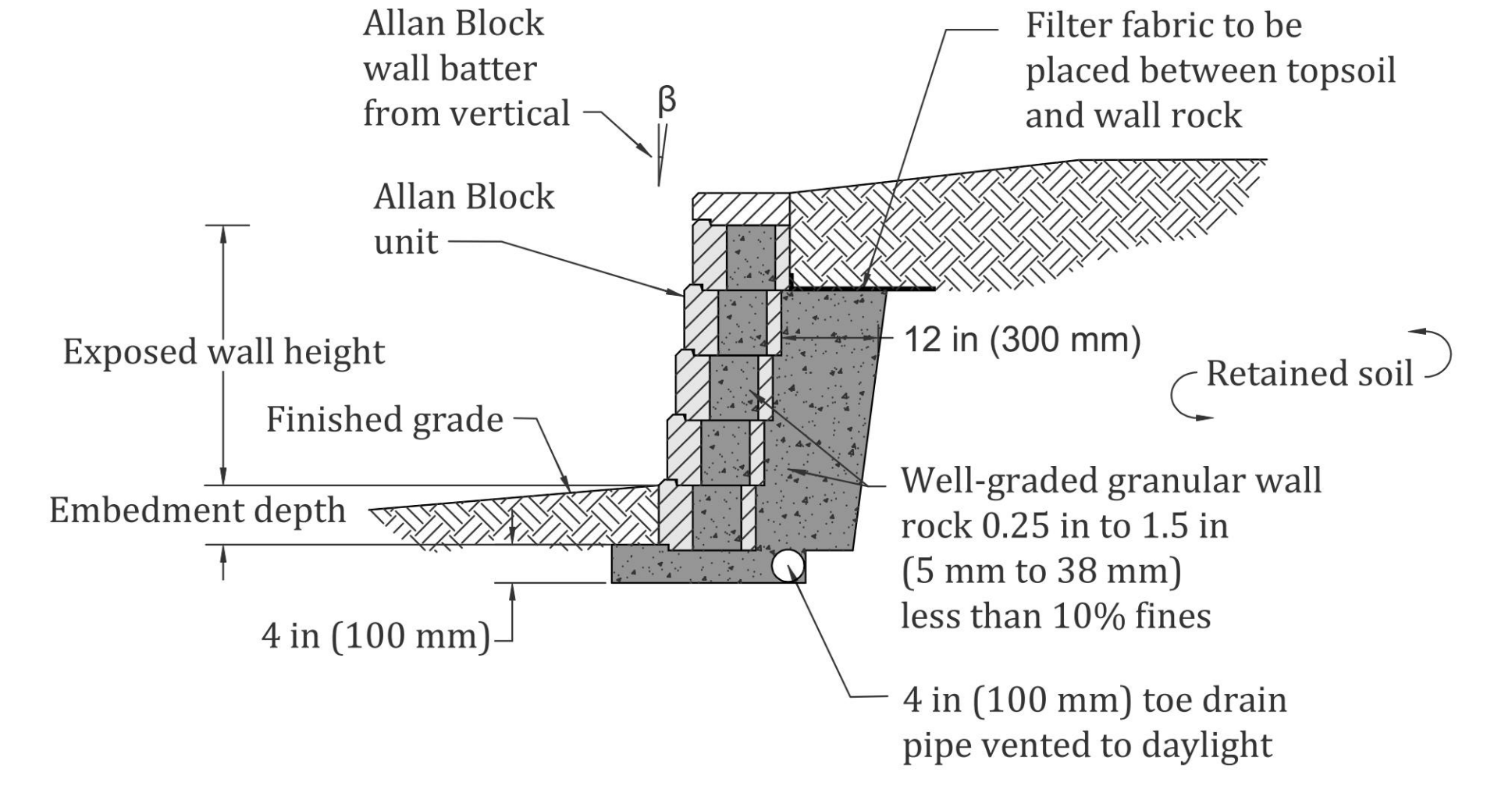


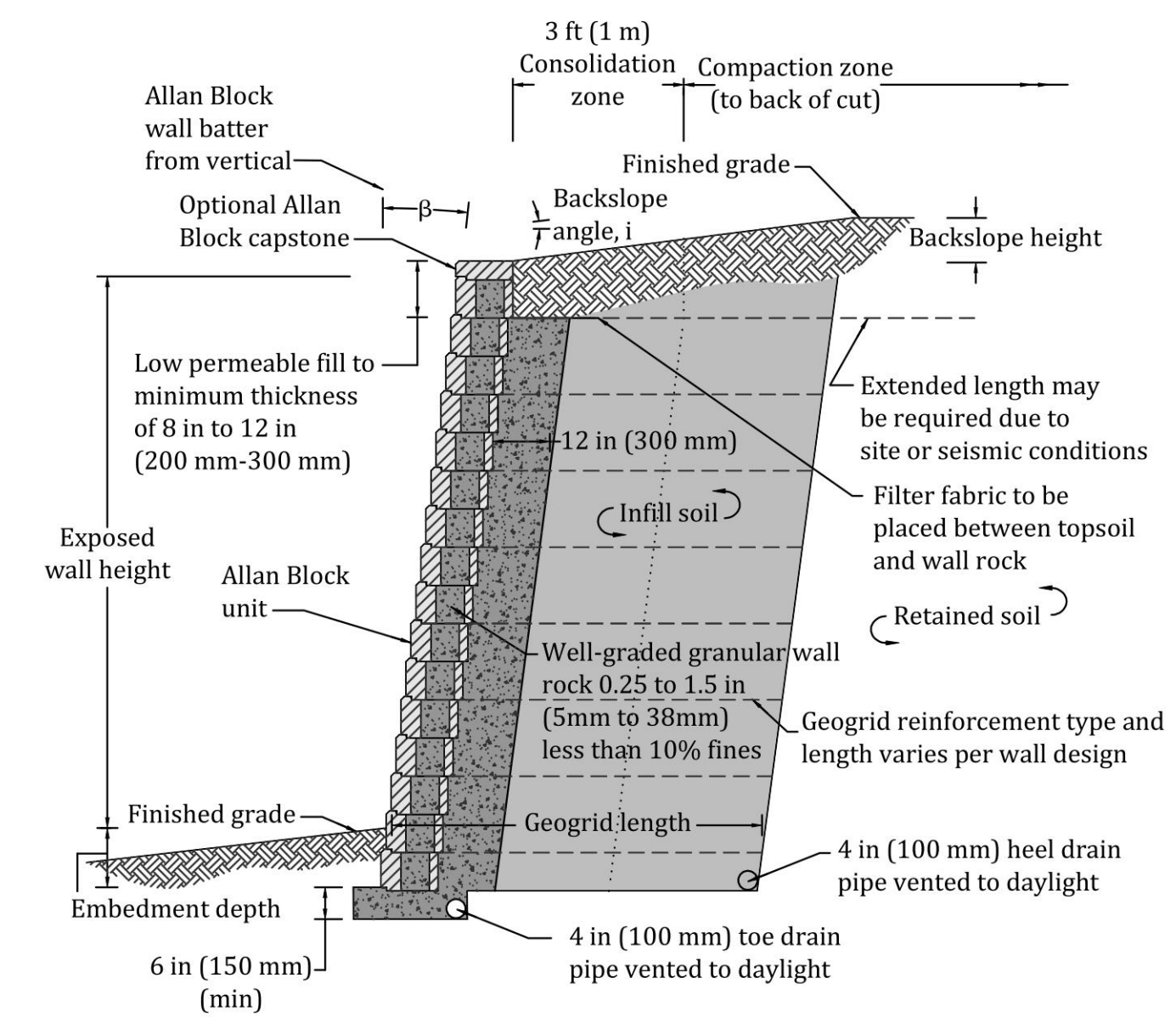
**siteScapes** P.O. Box 22326 Lincoln, NE 68542 PF: 402/421-9464 WEBSITE: www.sitescapesonline.com  
 FX: 402/421-9479 E-MAIL: info@sitescapesonline.com  
 TITLE: ECHO BIKE RACK PRODUCT NO: EC2-07-SM FRACTION: 1/16" ANG: ±1°  
 INCH TOLERANCES U.O.S. THE INFORMATION CONTAINED IN THIS DRAWING IS THE SOLE PROPERTY OF SITECAPES, INC. ANY REPRODUCTION IN PART OR AS A WHOLE WITHOUT THE WRITTEN PERMISSION OF SITECAPES, INC. IS PROHIBITED.



BIKE RACK DETAIL

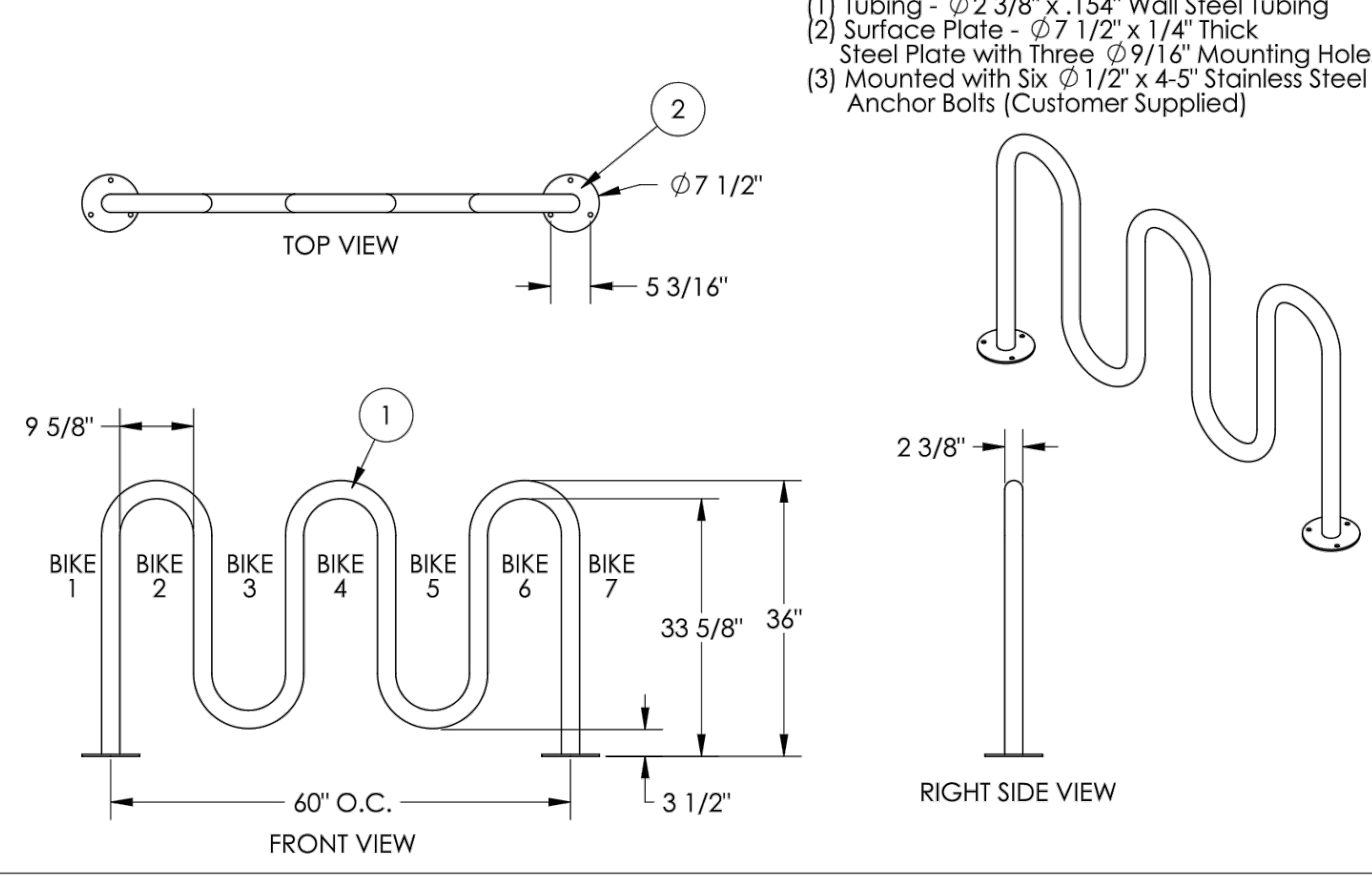


Designed By: Title: **AB-01 TYPICAL GRAVITY WALL** Date:  
 Checked By: The purpose of this drawing is for preliminary design only. This should not be used for final design or construction without the certification of a professional engineer registered in the state in which the wall will be built. The accuracy and use of details contained in this document are the sole responsibility of the user. The user must verify each detail for accuracy as they pertain to their particular project. Project No:  
 Scale: Not to Scale Drawing No:

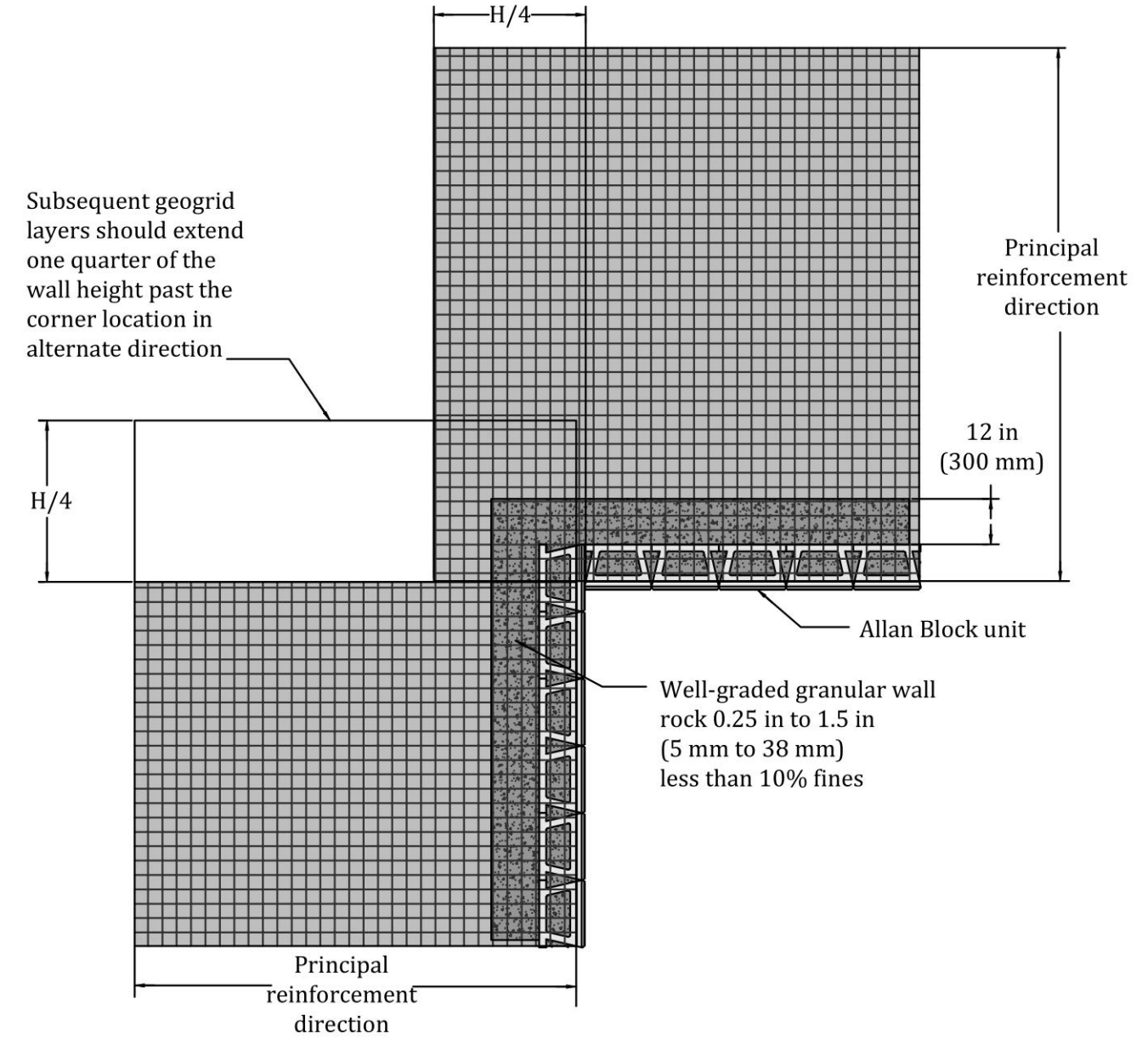


Designed By: Title: **AB-02 TYPICAL REINFORCED GEOGRID WALL** Date:  
 Checked By: The purpose of this drawing is for preliminary design only. This should not be used for final design or construction without the certification of a professional engineer registered in the state in which the wall will be built. The accuracy and use of details contained in this document are the sole responsibility of the user. The user must verify each detail for accuracy as they pertain to their particular project. Project No:  
 Scale: Not to Scale Drawing No:

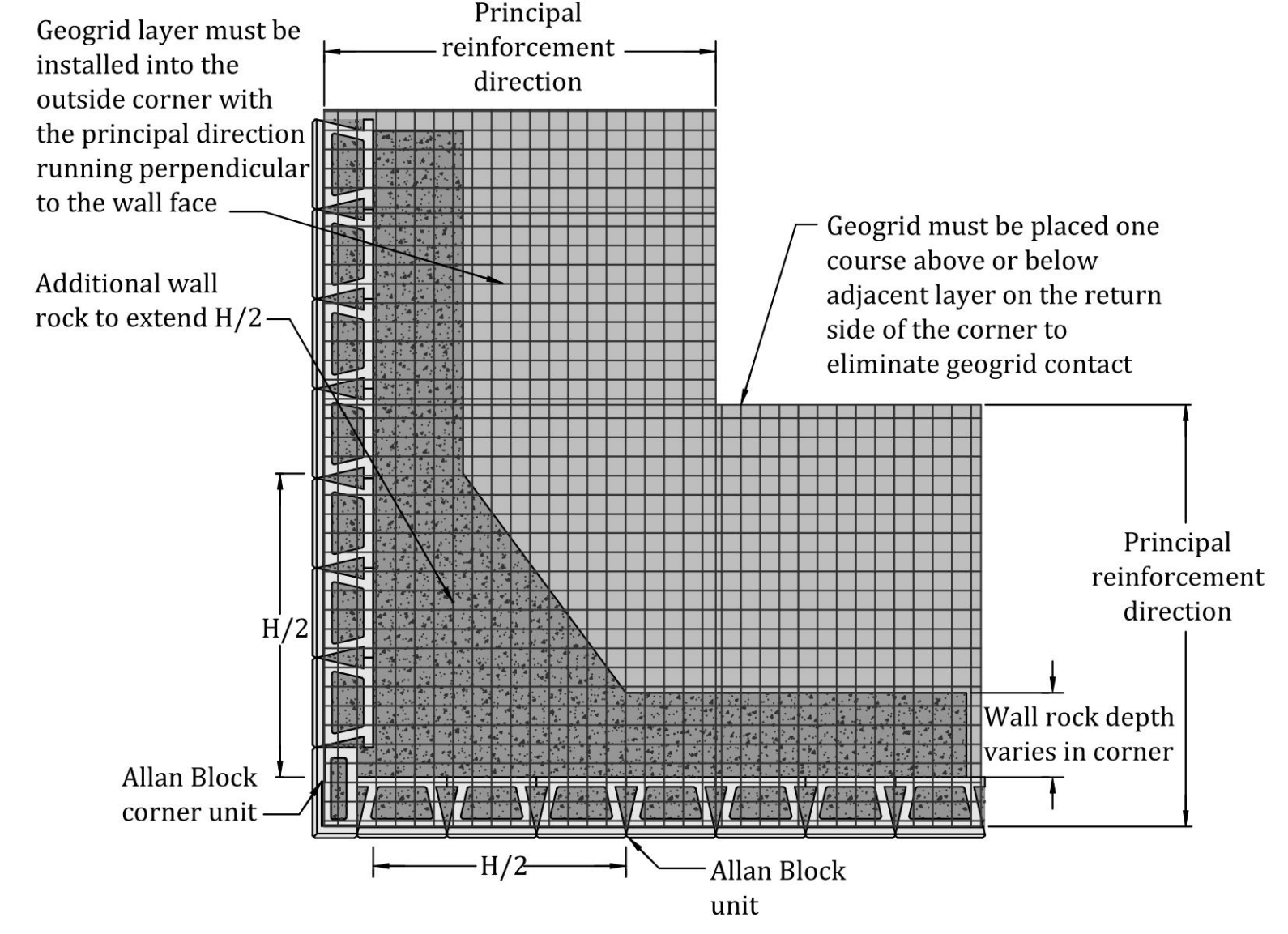
**siteScapes** P.O. Box 22326 Lincoln, NE 68542 PF: 402/421-9464 WEBSITE: www.sitescapesonline.com  
 FX: 402/421-9479 E-MAIL: info@sitescapesonline.com  
 TITLE: ECHO BIKE RACK PRODUCT NO: EC2-07-SM FRACTION: 1/16" ANG: ±1°  
 INCH TOLERANCES U.O.S. THE INFORMATION CONTAINED IN THIS DRAWING IS THE SOLE PROPERTY OF SITECAPES, INC. ANY REPRODUCTION IN PART OR AS A WHOLE WITHOUT THE WRITTEN PERMISSION OF SITECAPES, INC. IS PROHIBITED.



BIKE RACK DETAIL



Designed By: Title: **AB-03 INSIDE CORNER** Date:  
 Checked By: The purpose of this drawing is for preliminary design only. This should not be used for final design or construction without the certification of a professional engineer registered in the state in which the wall will be built. The accuracy and use of details contained in this document are the sole responsibility of the user. The user must verify each detail for accuracy as they pertain to their particular project. Project No:  
 Scale: Not to Scale Drawing No:



Designed By: Title: **AB-04 OUTSIDE CORNER** Date:  
 Checked By: The purpose of this drawing is for preliminary design only. This should not be used for final design or construction without the certification of a professional engineer registered in the state in which the wall will be built. The accuracy and use of details contained in this document are the sole responsibility of the user. The user must verify each detail for accuracy as they pertain to their particular project. Project No:  
 Scale: Not to Scale Drawing No:

REVISIONS	DATE	BY	DESCRIPTION
1	7/30/24	JSH	Update Ex. Conditions & internal sidewalks
2	8/16/24	JSH	ADDENDUM #2

**HARRIS GRAY, LLC**  
 ENGINEERS - SURVEYORS - PLANNERS  
 CERTIFICATE OF AUTHORIZATION NO: PE060640  
 824 THIRD AVENUE - WEST POINT, GEORGIA, 31839  
 PHONE: (706) 945-5885

WHITESVILLE ROAD SOCCER COMPLEX  
 TROUP COUNTY, LAGRANGE GA.  
**CONSTRUCTION DETAILS 2**

DATE: 10/06/2023  
 DRAWN BY: HG  
 CHKD BY: JSH  
 FILE NAME: DETAILS  
 JOB NO.: GA230155